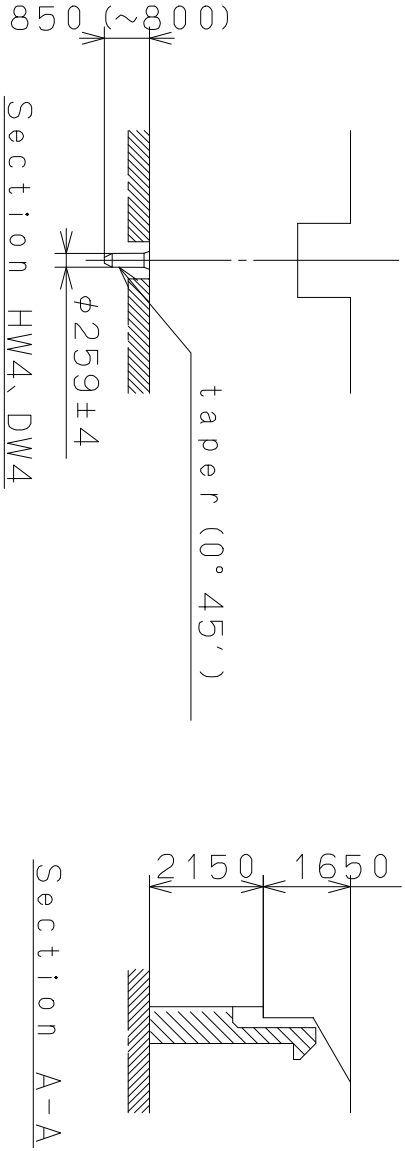
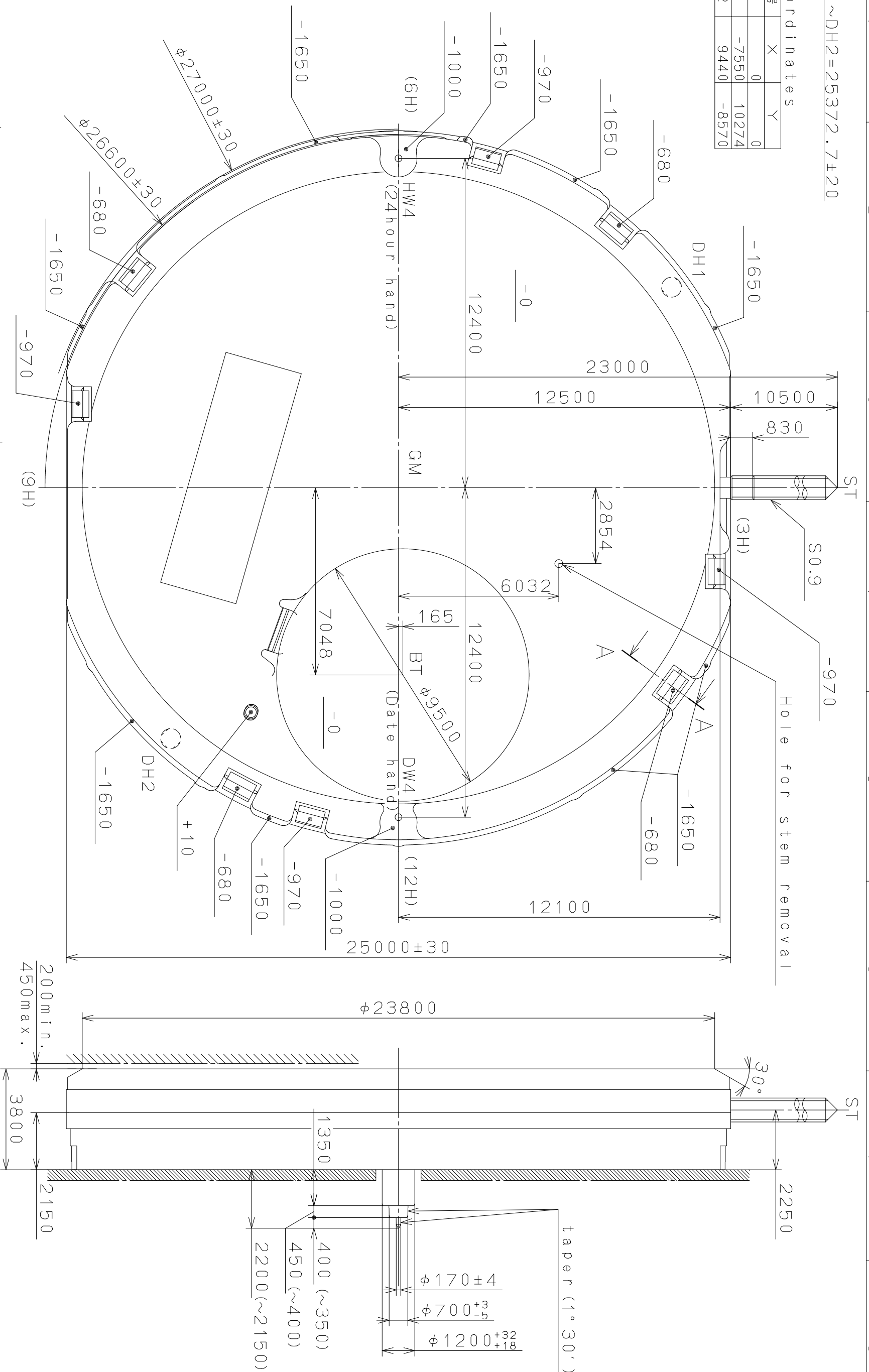


Coordinates

記号	X	Y
GM	0	0
DH1	-7550	10274
DH2	9440	-8570

DH1~DH2=25372.7±20

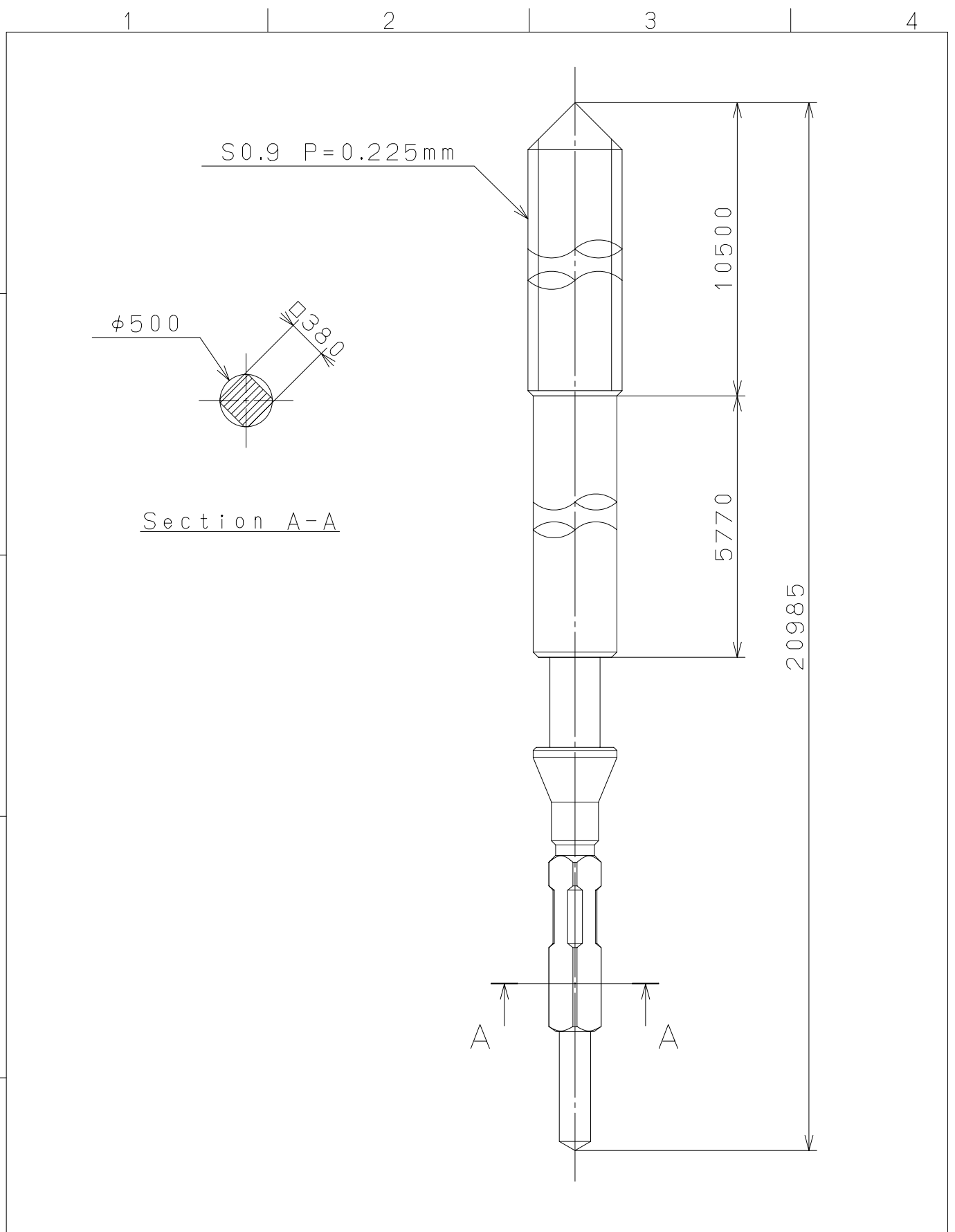


△	Quantity	Cal. NO.:	GP50
△	Unit	Unit	1/1000 mm
△	Scale	Scale	7:1
△	Date	Date	
△	Drawn	Drawn	
△	Checked	Checked	M. Fukuda
△	Approved	Approved	
△	Alterations	Alterations	
△	Date	Date	
△	Description	Description	Frame for Case
△	Material	Material	
△	Heat Treatment	Heat Treatment	
△	Hardness	Hardness	
△	Plating	Plating	
General Tolerances		Drawing No.: GP50C000	
Dimensions		Name: Frame for Case	
Angles		CITIZEN WATCH CO., LTD. TOKYO, JAPAN	

MIYOTA

2005/02/01 (17:07:32)

This drawing is provisional and subject to our reconfirmation and/or revision without notice.



△			Quantity			Cal.NO.:
△			Unit	1 / 1000 mm		
△			Scale	20 / 1		Parts No.:
△				Date	Name	065-992
△			Drawn			
Mark	Date	Description	Appr.	Checked	M. Fukuda	Name:
Alterations			Approved	SETTING STEM		
Material						Drawing No.: 9920S000
Heat Treatment	General Tolerances					
Hardness	Dimensions					
Plating	Angles					CITIZEN WATCH CO., LTD. TOKYO, JAPAN